

VEHICLE INSPECTION REPORT

BF70MKM

Iveco Stralis 460

Inspection

Serious Damage? No

Vehicle

VAT Plus VAT

V5 Buyer To Apply

Details

Reg. date 01/12/2020

VIN WJMM62AT70C431371

Gearbox Automatic

Year 2020

Body Style Tractor (Heavy Haulage)

Axle Combi 4x2

Mileage 534,000 Km Not Warranted

MOT Due 31/10/2026

Rear Suspension Air

Fuel Type Gas

Cab Type Space

Colour WHITE

Gross Train Wt. 40000kg

Tyres

NSF 9.0mm

NSI1 NSI2 7.0mm

NSI3 NSI4

OSF 9.0mm

OSI1 OSI2 6.0mm

OSI3 OSI4

Spare

NSO1 NSO2 12.0mm

NSO3 NSO4

OSO1 OSO2 8.0mm

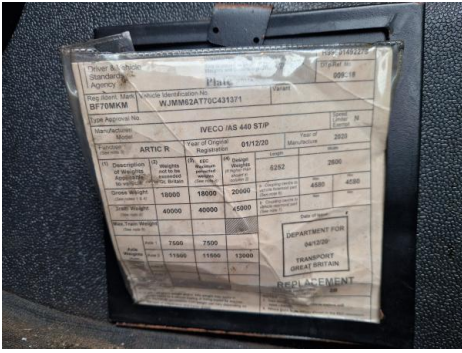
OSO3 OSO4

Features

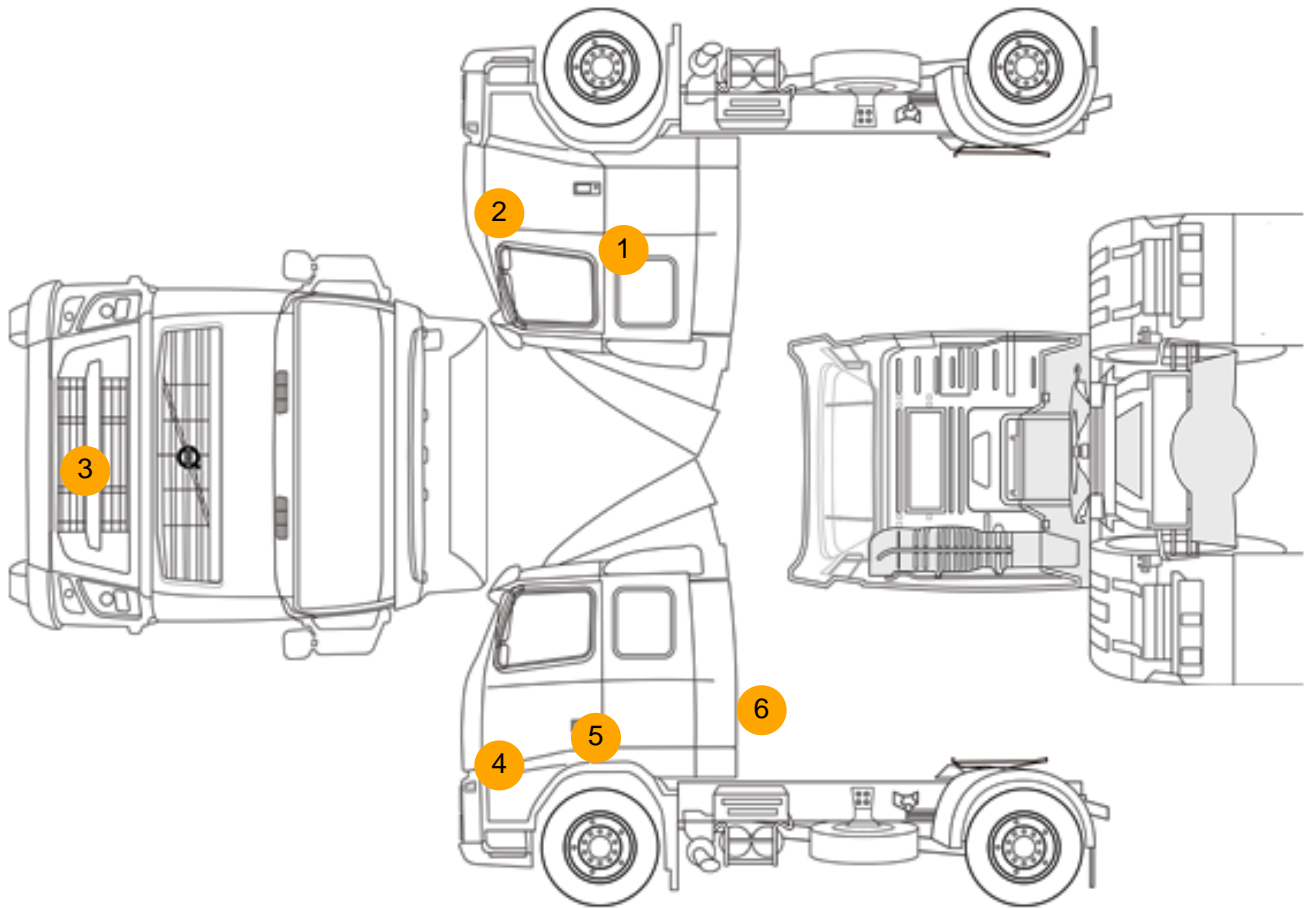
- Bluetooth connection
- Park assist camera
- Front electric windows
- Cruise control
- Radio/CD
- Cloth seat trim
- Heated front seat
- Electric sunroof
- Navigation system
- Air conditioning

Photos





Condition Check



Damage Photos



1: Door osf
Scratched
Over 25mm Thru Paint



2: Wing osf
Poor Previous Repair
Poor Paint



3: Bumper Front
Scratched
Over 100mm Thru Paint



4: Wing nsf
Scratched
Up To 25mm Thru Paint



5: Door nsf
Scratched
Over 25mm Thru Paint



6: Spoiler Rear
Broken
Replace

Interior

Carpet Condition Poor
Seat Condition Average

Upholstery Condition Average
Odour -

Mechanical Inspection

Engine Runs	✓	Gearbox 1st and Reverse Test	✓
Brakes	✓	Clutch Slip Test from Static	✓
Turbo Boosting	✓	Gearbox Static Gear Selection (engine running)	✓
Parking Brake	✓	No Excessive Smoking	✓
EML light illuminated	✓	Oil warning light illuminated	✓
Airbag light illuminated	✓	DPF light illuminated	✓
ABS light illuminated	✓	Service indicator light illuminated	✓

Roof / sunroof	✓	Radio	✓
Windows	✓	Steering	✓
Sat nav	✓		

PLEASE NOTE- This condition report may not be an exhaustive list of all faults or damage, please treat it as an indication of the general condition of the vehicle. No equipment or ancillary items will be tested prior to auction. Fleet Auction Group and Protruck Auctions are not responsible for any errors of descriptions or omission of faults. Please satisfy yourself with all auction lots before bidding.